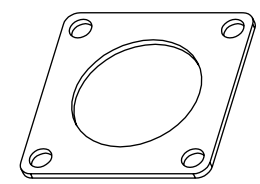
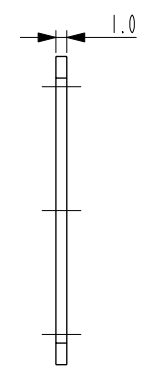
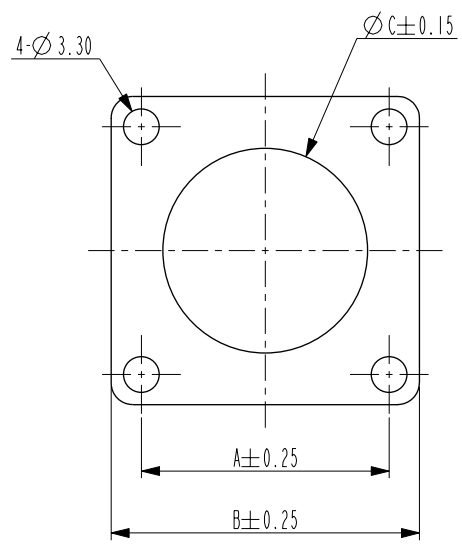


REVISIONS						
REV	ZONE	ECO	DESCRIPTION	DATE	BY	APPR
01	--	--	RELEASE NUMBER	01-Apr-10		



Note:
 1. Sealing for wall mounting receptacle.
 2. Suitable for RTG-RT0-RTOW

PART NO:	SHELL	A	B	C
RTFD12B	10	18.3	23.8	15.9
RTFD13B	12	20.6	26.2	19.0
RTFD14B	14	23.0	28.6	22.2
RTFD15B	16	24.6	31.0	25.4
RTFD16B	18	27.0	33.3	28.6
RTFD17B	20	29.4	36.5	31.8

MATERIALS LIST										
UNLESS OTHERWISE SPECIFIED 1) All dimensions are in metric(mm). 2) Tolerances are as follows: 1 PL DEC ±0.30 2 PL DEC ±0.15 3 PL DEC ±0.10			MATERIAL SPECIFICATIONS: EPDM		SINE Systems Corporation A Subsidiary of Amphenol Corporation					
3 PL DEC ±0.10 Fractions ±1/64 Angles ±1°			PROCESS SPECIFICATIONS: SEAL GASKET		DWG NO: RTFDXXB					
签名 SIGNATURE 制图 DRAWN 审核 CHECKED 工艺 ENGINEER 批准 APPROVAL 客户 CUSTOMER	TOM POTER FOUNT CUSTOMER	日期 DATE 10-Jan-10 15-Jan-10 15-Jan-10	THIS DRAWING IS SUPPLIED FOR INFORMATION ONLY. DESIGN FEATURES, SPECIFICATIONS AND PERFORMANCE DATA SHOWN HEREON ARE THE PROPERTY OF THE AMPHENOL CORPORATION. NO RIGHTS OF REPRODUCTION ARE IMPLIED. ALL DIMENSIONS ARE SUBJECT TO NORMAL MANUFACTURING VARIATIONS.			第三角投影 THIRD ANGLE PROJECTION	文件编号 FSCM NO.	幅面 SIZE A4	质量 MASS 01	版次 REV. 比例 SCALE
SHEET 1 OF 1			NEXT ASS'T:							